

# RADIANCE™

# RIGID®

## RADIANCE POD XL INSTALLATION INSTRUCTIONS



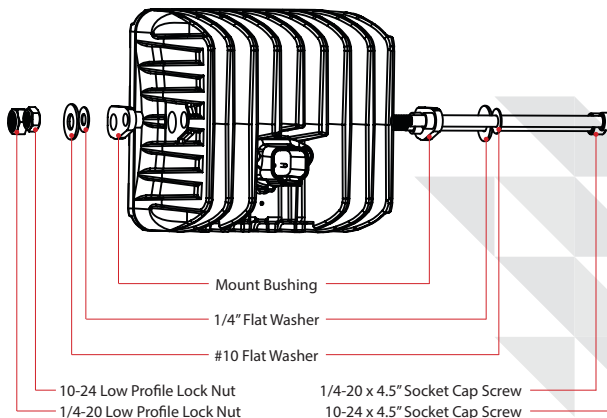
### IMPORTANT

1. Radiance lights are designed to operate from 10V DC - 15 VDC only. Using this product on a 24V DC or higher system will cause permanent damage to electrical components.
2. Colored back-lighting and projecting LED's are intended for off-road use only. Consult your local, state and federal laws, rules and regulations to determine whether your particular application/installation is authorized for use on a public highway.

### Step 1

Assemble the LED Light Kit by attaching mounting bracket to the housing using the provided mount bushings, bolts, washers, and low profile nylock nuts. Place mount bushings into the housing prior to installing mounting bracket. (See Figure Below)

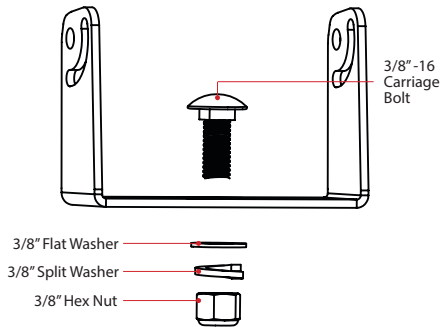
### SURFACE MOUNT



## Step 2

Mount completed LED Light Assembly using the remaining bolt, washers, and nut. A 7/16" hole is required to mount the Light Assembly.

(Torque to 212 in/lbs) (See Figure Below)



## WIRING INSTRUCTIONS

### IMPORTANT

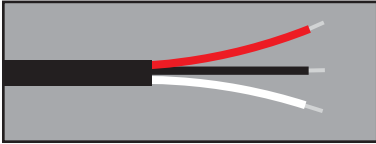
**Always disconnect the vehicle batter terminals before servicing the electrical system**



1. When routing wires through any metal or abrasive surfaces, be sure the surface is free of any sharp edges.
2. Match the light pigtail to the harness colors: Red to Red (Forward projecting LED +12v trigger), White to White (back-lighting LED +12v trigger), and Black to Black (shared ground).
3. Use provided butt connectors with appropriate wire AWG (see following page).
4. Find a desired location for switches and drill a 3/4" hole for each switch.
5. Switch leads are wired independently from another so 1 switch will turn on forward projecting LED's (LIGHT BAR = blue trigger wire at switch. POD = red trigger wire at switch) and 1 switch will turn on back-lighting LED's (white trigger wire at switch) refer to switch wiring diagram to ensure proper connections at switch.
6. Route main power and ground leads from the harness to the battery terminals and attach the RED lead to battery +12v and the BLACK lead directly to the battery ground.
7. Re-connect the negative battery terminal and test switches to verify functionality.

# RADIANCE™

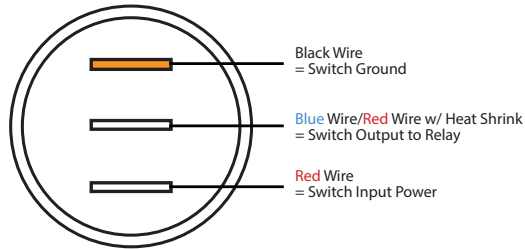
## WIRE LEADS



Red Wire (+12V DC) = Forward Projecting Trigger  
Black Wire = Ground  
White Wire (+12V DC) = Back-Lighting Trigger

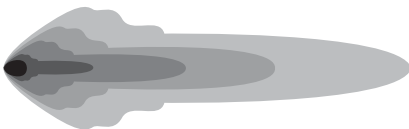
## RELAY HARNESS

NOTE: GOLD Spade is the Top of Switch, 3/4" mounting hole required



**Wiring: Wire your lights according to the instructions included with the light.  
Take care to avoid any heat sources and sharp or abrasive surfaces.**

## Radiance Pod XL Beam Pattern



Radiance POD XL  
Harness Comes Complete with:

(2) Switches, (1) In-Line Fuse,  
(2) Output Leads, and Battery Leads.

Part # 2-11461





**Wiring: Wire your lights according to the instructions included with the light.  
Take care to avoid any heat sources and sharp or abrasive surfaces.**

**Your installation is now complete.  
Welcome to the Rigid Nation!**

---

---

## **WARRANTY INFORMATION**

For warranty information, visit [www.rigidindustries.com/about/warranty](http://www.rigidindustries.com/about/warranty)

779 N Colorado St, Gilbert, AZ 85233 • 855-760-5337  
[www.rigidindustries.com](http://www.rigidindustries.com)

Radiance, RIGID, and Rigid Industries are registered and/or common law marks owned by JST Performance, LLC,  
a Delaware limited liability company d/b/a Rigid Industries.

11-13349-A